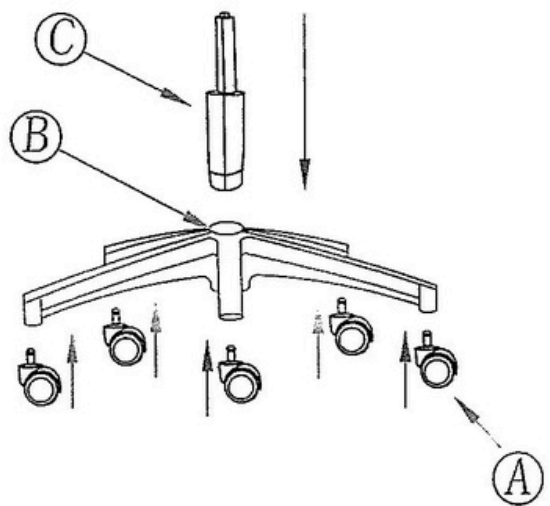
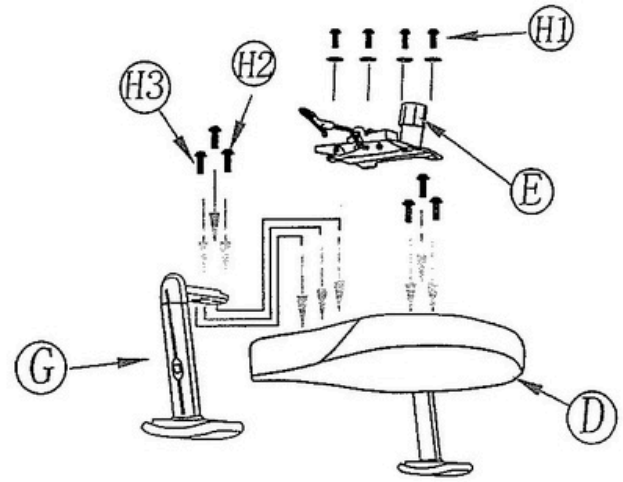


1

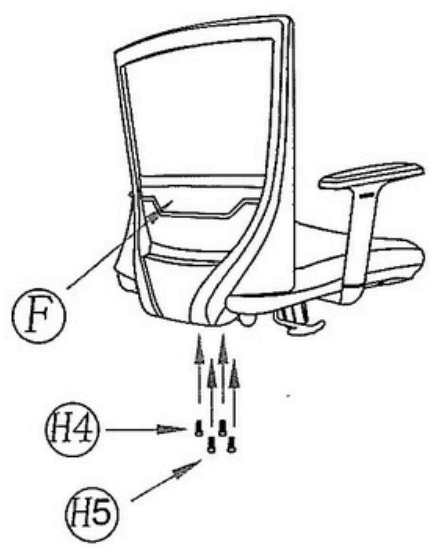


2



|   |  |   |  |
|---|--|---|--|
| A |  | B |  |
| C |  | D |  |
| E |  | F |  |
| G |  | H | <ul style="list-style-type: none"> <li>H1 6*20 screw </li> <li>H2 6*30 screw </li> <li>H3 6*35 screw </li> <li>H4 6*40 screw </li> <li>H5 6*50 screw </li> </ul> |

3



4



5

